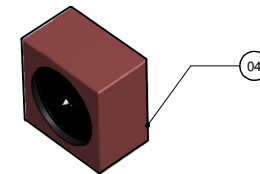
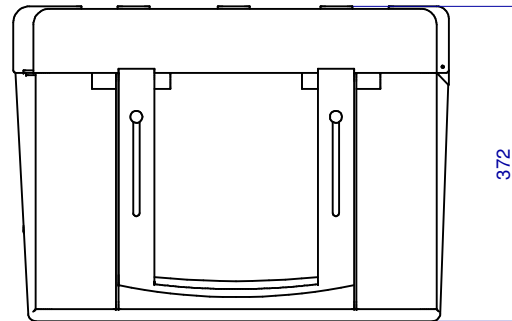
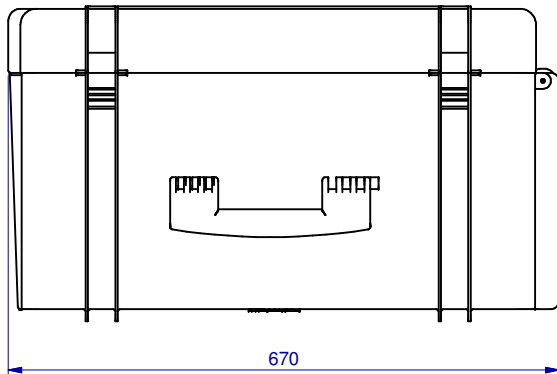
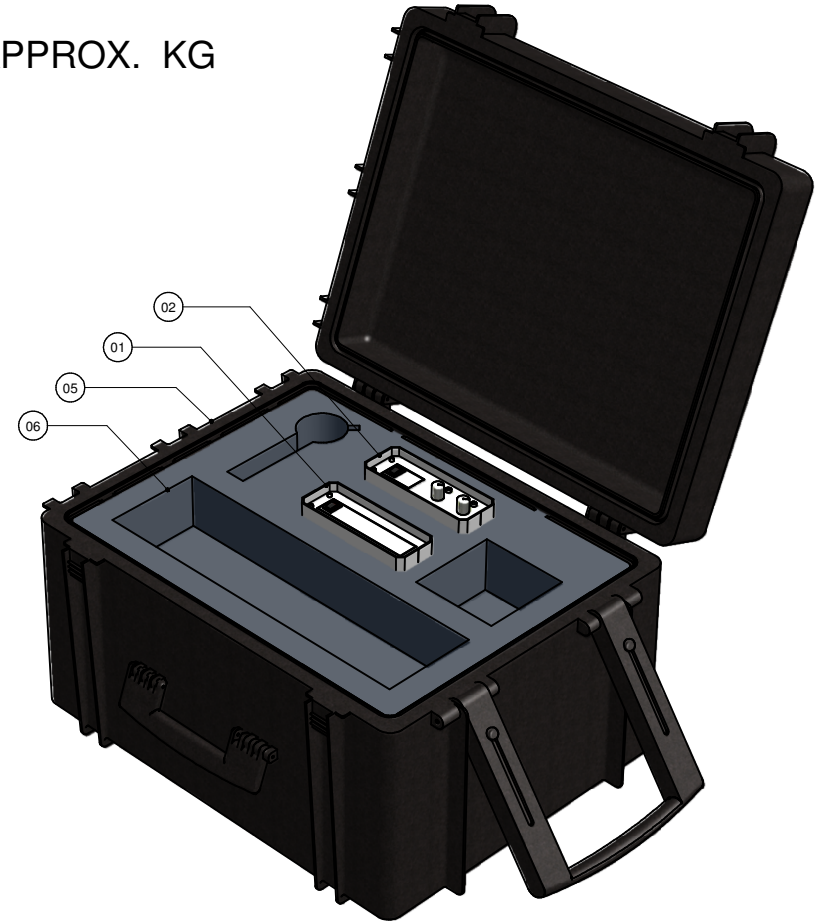
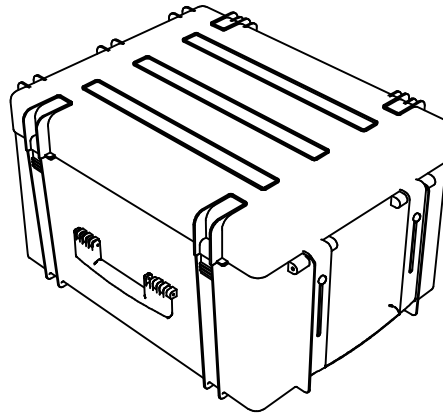
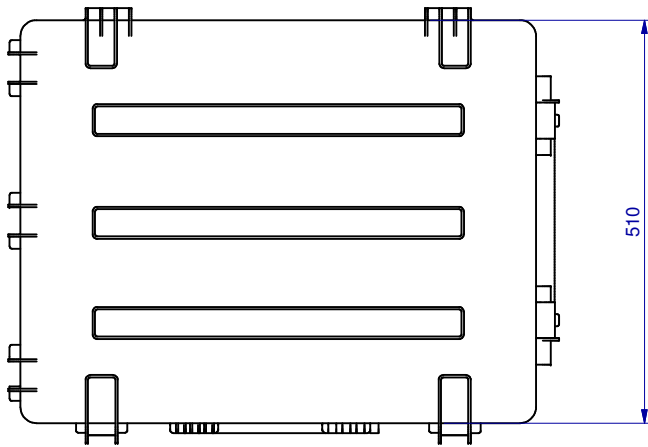
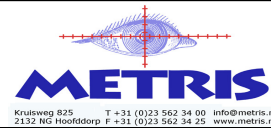


WEIGHT APPROX. KG



Parts List		
Pos	QTY	DESCRIPTION
01	1	Sonotrack Control Unit Assembly
02	1	Sonotrack Playback Unit Assembly
03	1	Microphone
04	1	Speaker
05	1	Case Assembly
06	1	Foam Inlay

Description: Sonotrack Case Assembly		Drawing No:
--	--	-------------



Design:	L.T. v. Emmerik	11-3-2010	Scale: 0,15:1
Checked:	R. Bulthuis		Revision:
<small>This document remains the property of Metris BV. All rights reserved. This document or any part thereof may not be made public or disclosed, copied or otherwise reproduced or used in any form or by any means, including but not limited to the use hereof for the design and manufacturing of identical or similar parts or products, without prior permission in writing from Metris BV.</small>			A3

C:\Documents and Settings\Loetje\Mijn documenten\Drawings\3000 Aanvraag\A3011-10\Totall Assembly.idw 11-3-2010